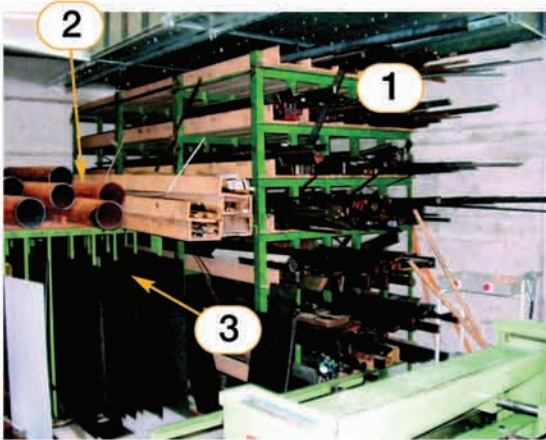


Module 1 Beginning an apprenticeship

Unit 1 Mike's first day

On a pleasant Monday morning on 30th August it is already 6.57 am when Mike is driving his motorbike into the car park of HC ENGINEERING. He is anxious about being late! His course in mechanical engineering will begin at 7.00 and there's no way that he can make it to the training centre in three minutes. He doesn't even know where it is. 'What a great start', Mike thinks to himself.

He is frustrated with himself for being late and has to overcome that before he simply walks through the first door he can see. He is now in the company storeroom.



The storeroom is where steel and other materials of the company are stored. Steel bars and rods of different shapes and profiles are leaning against the walls and are stored in racks and on shelves, in pallet cages or just stacked on the floor. There are four workers in this place. As storemen their job is to prepare the material according to the job it is needed for. For each job they are required to put together the correct amount of pieces and if necessary the material may have to be cut to the right size.

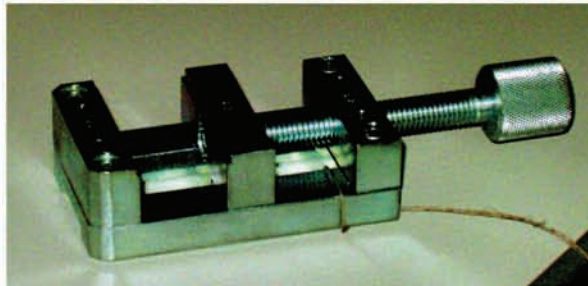
For cutting sheet metal to the right length a guillotine is used. For cutting steel bars of different shapes and profiles there is a power hacksaw and a circular saw.

Mike who is now feeling totally lost calls out to the store-man operating the circular saw,

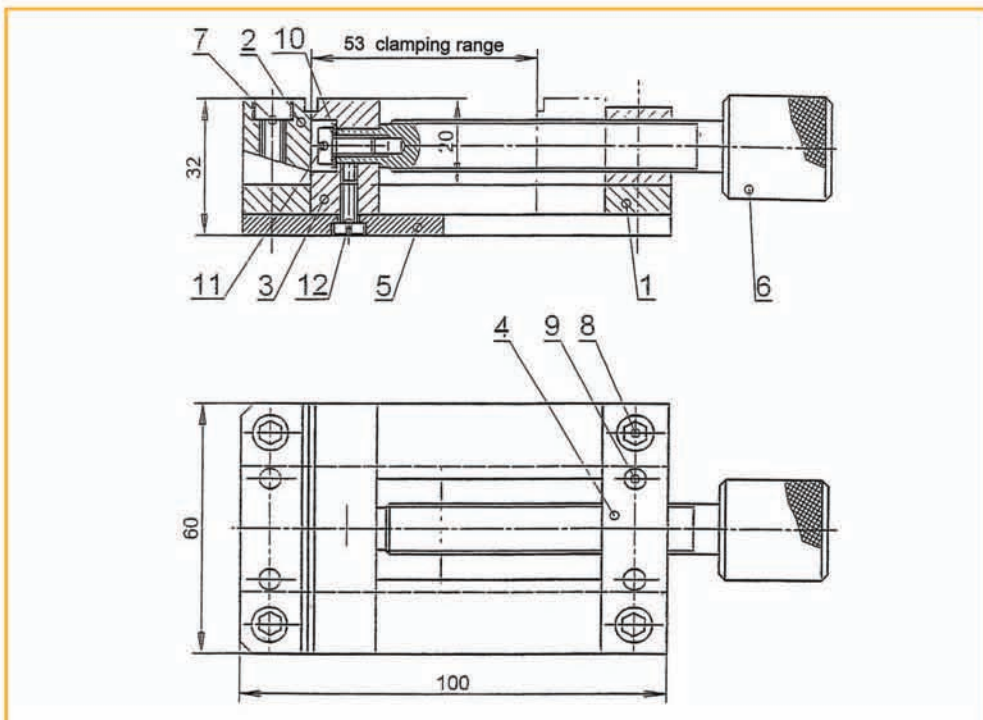
"Excuse me please, could you tell me where the training centre is?"

Unit 4 First task, making a vice

The first task that is set before the group of new trainee mechanical technicians is to build a vice.



Mike and his workmates have to start from scratch, which means providing the necessary materials, manufacturing the parts on the material list and then assembling them. The technical drawing entitled "project work vice" is a set of 5 sheets and it shows every single part of the vice in detail.



The drawing shows page 1 of the technical drawing "project work vice"

► More hand tools

Each apprentice at HC ENGINEERING has his own workbench and in it a set of basic hand tools which include the following:



► New words

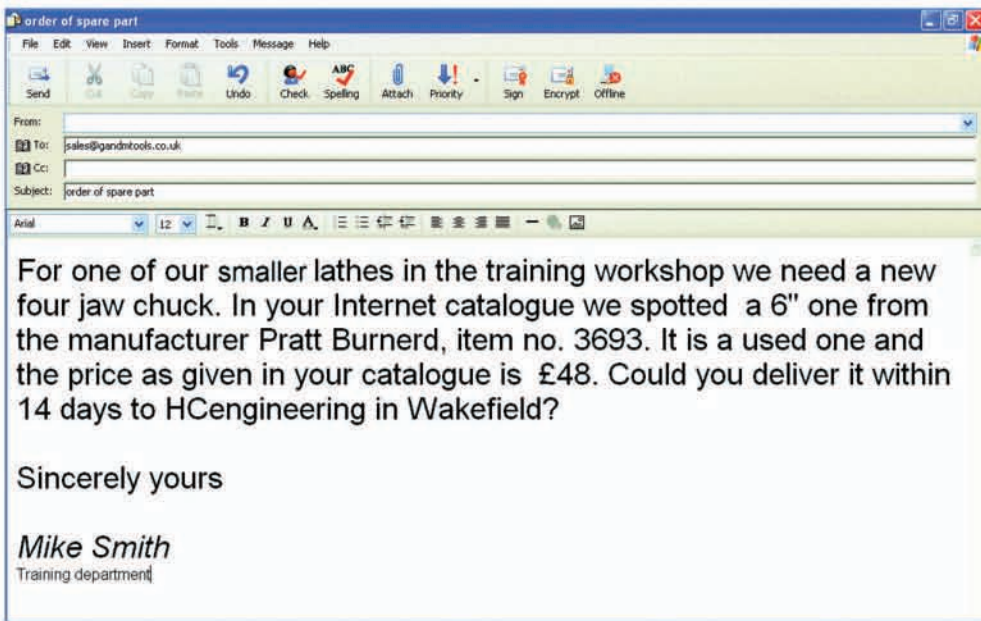
Here are the names of the hand tools in alphabetical order. Copy them into your exercise book, then write the correct number behind each of them. Then translate the tool names into German with the help of the wordlist.

- | | |
|---------------------------|---------------------|
| Allen keys metric (blue) | round nosed pliers |
| Allen keys imperial (red) | rule (standard 12“) |
| dividers (2) | screwdrivers |
| electric drill | scriber |
| files | sidecutting pliers |
| hacksaw | squares |
| hammer | universal pliers |
| micrometer | vernier callipers |

► Look up on the Internet:

Use a search engine (like Google) and find companies that sell hand tools. What kind of tools do they offer? Use a dictionary to find the German expression.

Mike follows the advice of Mr Brown and writes an e-mail to *Gandmtools*. Here is his e-mail:



An alternative to above e-mail text:

Dear Sir/ Madam,

We would like to place an order for a Pratt and Burnerd four-jaw chuck item No. 3693, qty 1, which is on offer on your website for £48. Please deliver this item as soon as possible or within the next 14 days at the latest to:

HC-ENGINEERING
Wakefield Industrial Park,
Unit 2
Wakefield.

Yours sincerely

Mike Smith
(Training dept.)